



- Lectures
- Seminars
- Workshops
- Projects
- Professional Excursions
- E-learning Courses
- Observation Visits to Schools
- Assessments
- Follow Up Seminars
- Cultural Events

Hessische Landesstelle  
für Technologiefortbildung  
D-64521 Groß-Gerau  
Germany  
☎ +49 (0)6152 96136-0  
www.hlft.hessen.de  
info@hlft.hessen.de

Hessian Institute  
for Advanced Training  
in Technology  
Dr.-Frank-Niethammer-Institut

Professional Training  
In the Context of  
International Development



**who** The Hessian Institute for Advanced Training in Technology is a facility of the Hessian Ministry of Education and provides the Hessian contribution to the development cooperation of the Federal Republic of Germany. In professional trainings for teachers, trainers and managers in the field of vocational education, participants from more than 100 countries have been supported.

**what** Our practice-oriented advanced education programs are modular and can be tailored individually to the target group. For the transfer of acquired competencies, in addition to technical content, major focus is put on educational elements. Visits to training providers, companies and exhibitions complete the program that we offer in German and English. With the help of interpreters, other languages are possible.

**how** By cooperating with the Vocational Schools in Gross-Gerau, a wide range of options opens for covering professional educational elements. Observation visits to schools are possible as well as the sharing of experiences with students and apprentices. As part of the educational seminars, there is the opportunity to conduct lessons in German schools.

**where** The accommodation in our guest house offers modern rooms with shower / WC, TV and internet. At regular intervals, recreational activities such as museum visits, city tours and cultural events are offered. Thus, in addition to the educational and business location, our guests also experience the ambience of Germany.



HLT-20120306-SI

## Renewable Energy and Environmental Technology

- **Photovoltaic**  
Stand Alone Systems  
Network Supply  
Backup Systems
- **Solar Thermal Energy**  
Domestic Water Heating  
Collectors and Storage Tanks
- **Wind Energy**  
Small Wind Turbines  
Dimensioning
- **Hydropower**  
Site Analysis and Yield Forecast  
Turbine Types and Selection
- **Efficient Usage of Energy**  
Potential Savings  
Environment and Climate Protection
- **Assembling and Installation**  
Safety  
Mechanics



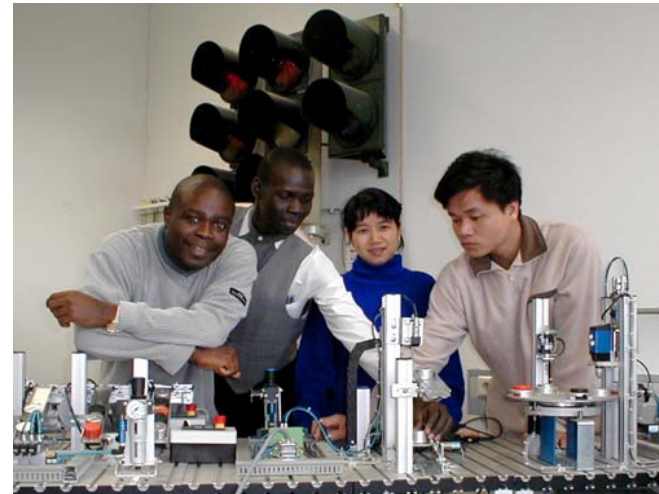
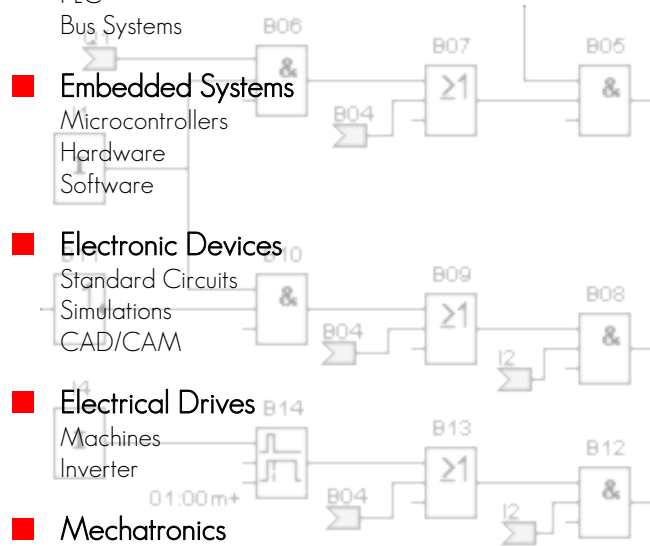
## IT Systems and E-Learning

- **IT-Systems**  
PC-Hardware and Network Components  
Peer to Peer, Client/Server, Services
- **Application Programs**  
Office  
Data Bases
- **Operating Systems**  
Windows, Linux
- **Programming Languages**  
C(++), Java, ...
- **Internet Applications**  
HTML, Content Management Systems
- **Learning Management Systems**  
Courses and Participants  
Communication Platforms  
Authoring Systems
- **Media Development**  
Images, Audio, Video



## Automation Technology and Electrical Engineering

- **Programmable Controllers**  
Micro Automation  
PLC  
Bus Systems
- **Embedded Systems**  
Microcontrollers  
Hardware  
Software
- **Electronic Devices**  
Standard Circuits  
Simulations  
CAD/CAM
- **Electrical Drives**  
Machines  
Inverter
- **Mechatronics**  
Sensors and Actors  
Pneumatics and Hydraulics  
Mechatronic Systems



## Educational Management and Study Tours

- **Vocational Education**  
Education Systems  
Curricula  
Competencies  
Methods  
Planning of Rooms and Facilities
- **Subject Didactics**  
Lesson Planning and Implementation  
Evaluation
- **Media Didactics**  
Media Development  
Presentation and Creative Techniques
- **School Management**  
Organization, Management and Direction  
Capacity Building  
Quality Management
- **Professional Excursions and Study Tours**  
Schools and Training Centers  
Manufacturers of Training Systems, Exhibitions  
Companies and Institutes

